



Styles D and H—NEMA 2 Rated
verts to NEMA 3R with Weathershield

EE NLP Series Transformers

- Three-phase dry type transformers, 480 Delta—208Y/120 or **208 Delta — 208Y/120**
- Aluminum or copper windings
- Electrostatic shield
- Class 220 insulation
- Double size neutral terminal for additional customer neutral cables
- Additional coil capacity to compensate for higher non-linear load loss
- cULus Listed

**Call LynTec — 800-724-4047
for contractor pricing.**

| kVA | Catalog No. | \$ Price | Taps | Weight (lbs) | Enclosure |
|-----|-------------|----------|------|--------------|-----------|
|-----|-------------|----------|------|--------------|-----------|

NLP Series for More Severe Non-Linear Load Service—K-13 Rated—Aluminum Windings; 150° C Rise

| kVA | LynTec Part Number 208 Delta - 208Y/120 | Square D Part Number 208 Delta - 208Y/120 |
|-------|--|--|
| 15 | NLPA-15-208-208 | EE15T211HISNLP |
| 30 | NLPA-30-208-208 | EE30T211HISNLP |
| 45 | NLPA-45-208-208 | EE45T211HISNLP |
| 75 | NLPA-75-208-208 | EE75T211HISNLP |
| 112.5 | NLPA-112-208-208 | EE112T211HISNLP |
| 150 | NLPA-150-208-208 | EE150T211HISNLP |

| kVA | LynTec Part Number 480 Delta - 208Y/120 | EE Part Number | Taps | Weight (lbs) | Enclosure |
|-------|--|----------------|-------------|--------------|-----------|
| 15 | NLPA-15-480-208 | EE15T3HISNLP | 6-2.5% 2+4- | 261 | 17D |
| 30 | NLPA-30-480-208 | EE30T3HISNLP | 6-2.5% 2+4- | 365 | 18D |
| 45 | NLPA-45-480-208 | EE45T3HISNLP | 6-2.5% 2+4- | 415 | 20D |
| 75 | NLPA-75-480-208 | EE75T3HISNLP | 6-2.5% 2+4- | 535 | 21D |
| 112.5 | NLPA-112-480-208 | EE112T3HISNLP | 6-2.5% 2+4- | 750 | 22D |
| 150 | NLPA-150-480-208 | EE150T3HISNLP | 6-2.5% 2+4- | 755 | 24D |
| 225 | EE225T3HISNLP | | 6-2.5% 2+4- | 775 | 25D |
| 300 | EE300T68HISNLP | | 4-2.5% 2+2- | 2350 | 30D |
| 500 | EE500T68HISNLP | | 4-2.5% 2+2- | 3150 | 31D |

NLP Series for More Severe Non-Linear Load Service—K-13 Rated—Copper Windings; 150° C Rise

| kVA | LynTec Part Number 208 Delta - 208Y/120 | Square D Part Number 208 Delta - 208Y/120 |
|-------|--|--|
| 15 | NLPC-15-208-208 | EE15T211HISCUNLP |
| 30 | NLPC-30-208-208 | EE30T211HISCUNLP |
| 45 | NLPC-45-208-208 | EE45T211HISCUNLP |
| 75 | NLPC-75-208-208 | EE75T211HISCUNLP |
| 112.5 | NLPC-112-208-208 | EE112T211HISCUNLP |
| 150 | NLPC-150-208-208 | EE150T211HISCUNLP |

| kVA | LynTec Part Number 480 Delta - 208Y/120 | EE Part Number | Taps | Weight (lbs) | Enclosure |
|-------|--|-----------------|-------------|--------------|-----------|
| 15 | NLPC-15-480-208 | EE15T3HISCUNLP | 6-2.5% 2+4- | 260 | 17D |
| 30 | NLPC-30-480-208 | EE30T3HISCUNLP | 6-2.5% 2+4- | 430 | 18D |
| 45 | NLPC-45-480-208 | EE45T3HISCUNLP | 6-2.5% 2+4- | 730 | 20D |
| 75 | NLPC-75-480-208 | EE75T3HISCUNLP | 6-2.5% 2+4- | 640 | 20D |
| 112.5 | NLPC-112-480-208 | EE112T3HISCUNLP | 6-2.5% 2+4- | 985 | 22D |
| 150 | NLPC-150-480-208 | EE150T3HISCUNLP | 6-2.5% 2+4- | 1135 | 24D |
| 225 | EE225T3HISCUNLP | | 6-2.5% 2+4- | 1477 | 24D |
| 300 | EE300T68HISCUNLP | | 4-2.5% 2+2- | 2650 | 30D |



[Return to Submittal Selector
for other models](#)

Enclosure styles, from Dimensions Table, page 14-8.

Enclosures and Accessories

Note: Lugs: Furnished by customer — see next page for lug kits

www.LynTec.com

800-724-4047

8-5 M-F Central time

Enclosure Dimensions and Accessories

| Enclosure Number/Style | D | Height | | Width | | Depth | | Mounting | Weathershield | Wall Mounting Bracket | Ceiling Mounting Bracket | Insulation Class °C |
|------------------------|---|--------|------|-------|-----|-------|-----|----------|---------------|-----------------------|--------------------------|---------------------|
| | | in | mm | in | mm | in | mm | | | | | |
| 17 | D | 27.00 | 686 | 20.00 | 508 | 16.00 | 406 | Floor | WS363 | WMB361362 | CMB363 | 220 |
| 18 | D | 30.00 | 762 | 20.00 | 508 | 20.00 | 508 | Floor | WS363 | WMB363364 | CMB363 | 220 |
| 19 | | | | | | | | | | | | |
| 20 | D | 37.00 | 940 | 30.00 | 762 | 20.00 | 508 | Floor | WS364 | WMB363364 | CMB364 | 220 |
| 21 | D | 37.00 | 940 | 30.00 | 762 | 24.00 | 610 | Floor | WS364 | — | CMB364 | 220 |
| 22 | D | 43.75 | 1111 | 32.00 | 813 | 27.00 | 686 | Floor | WS380 | — | CMB380 | 220 |
| 24 | D | 49.5 | 1257 | 35 | 889 | 28.5 | 724 | Floor | WS381 | — | CMB381 | 220 |



Lug Kits; Wall and Ceiling Mounting Brackets; Sound Levels

New!

Primary Mechanical Lug Kits

**Call LynTec — 800-724-4047
for contractor pricing.**

LynTec Part Number
Ships with Transformer

| | Catalog No. | \$ Price Per Kit | Lugs Per Kit | Wire Range | Cap Screws | Current Range |
|----------------|---------------|------------------|--------------|--|----------------|---------------|
| LKP-100 | 7400DASKP100 | | 3 | 1/0–14 STR. | 1/4 x 1 in | Up to 100 A |
| LKP-250 | 7400DASKP250 | | 3 | 350 kcmil–6 STR. | 1/4 x 1 in | 101 to 250 A |
| | 7400DASKP400 | | 3 | 600 kcmil–4 STR. (2) 250 kcmil–1/0 STR. | 1/4 x 1 3/4 in | 201 to 400 A |
| | 7400DASKP600 | | 6 | 600 kcmil–4 STR. (2) 250 kcmil–1/0 STR. | 1/4 x 1 3/4 in | 601 to 800 A |
| | 7400DASKP1000 | | 9 | 600 kcmil–2 STR. | 3/8 x 2 in | 601 to 800 A |
| | 7400DASKP1200 | | 12 | 600 kcmil–2 STR. | 3/8 x 2 in | 801 to 1200 A |

New!

Secondary Mechanical Lug Kits

LynTec Part Number
Ships with Transformer

| | Catalog No. | \$ Price Per Kit | Lugs Per Kit | Wire Range | Cap Screws | Current Range | Bonding Lugs per Kit | Wire Range |
|----------------|---------------|------------------|--------------|--|----------------|----------------|----------------------|------------------|
| LKS-100 | 7400DASKS100 | | 5 | 1/0–14 STR. | 1/4 x 1 in | Up to 100 A | 1 | 2–14 STR. |
| LKS-250 | 7400DASKS250 | | 5 | 350 kcmil–6 STR. | 1/4 x 1 in | 101 to 250 A | 1 | 2–14 STR. |
| | 7400DASKS400 | | 5 | 600 kcmil–4 STR. (2) 250 kcmil–1/0 STR. | 1/4 x 1 3/4 in | 201 to 400 A | 1 | 1/0–14 STR. |
| | 7400DASKS600 | | 10 | 600 kcmil–2 STR. | 1/4 x 1 3/4 in | 601 to 800 A | 1 | 250 kcmil–6 STR. |
| | 7400DASKS1000 | | 15 | 600 kcmil–2 STR. | 3/8 x 2 in | 601 to 800 A | 1 | 250 kcmil–6 STR. |
| | 7400DASKS1200 | | 20 | 600 kcmil–2 STR. | 3/8 x 2 in | 801 to 1200 A | 1 | 250 kcmil–6 STR. |
| | 7400DASKS2000 | | 25 | 600 kcmil–2 STR. | 3/8 x 2 in | 1201 to 2000 A | 1 | 350 kcmil–6 STR. |

Weathershields, Wall and Ceiling Mounting Brackets

| Weathershields | | Wall Mounting Brackets ♦ | |
|----------------|----------|--------------------------|----------|
| Catalog No. | \$ Price | Catalog No. | \$ Price |
| WS363 | | WMB361362 | |
| WS364 | | WMB363364 | |
| WS370A | | | ★ |
| WS380 | | | |
| WS381 | | CMB363 | |
| | | CMB364 | |
| | | CMB380 | |
| | | CMB381 | |

♦ Wall mounting brackets may be prohibited in some California areas requiring 12-inch spacing from wall.
★ Base Channels are supplied for ceiling mounting—trapeze hangers must be furnished by user.
Note: Lugs are not supplied with transformer units. They must be purchased separately.

Sound Levels

| kVA | NEMA Standard Sound Level |
|----------|---------------------------|
| 0–9 | 40 dB |
| 10–50 | 45 dB |
| 51–150 | 50 dB |
| 151–300 | 55 dB |
| 301–500 | 60 dB |
| 501–700 | 62 dB |
| 701–1000 | 64 dB |

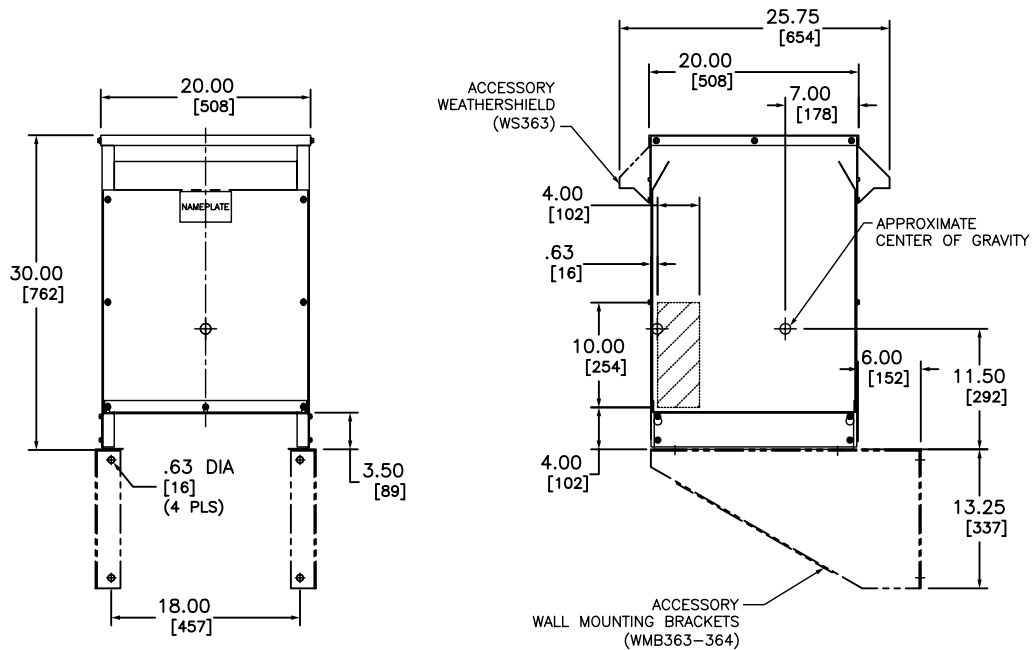
Note: Square D transformers meet NEMA standards for sound level.
Lower sound levels are available at an additional charge.

www.LynTec.com

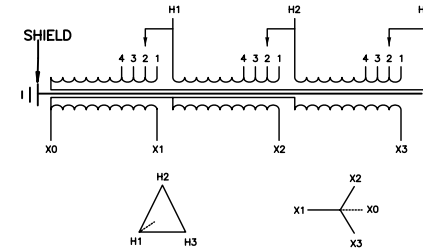
800-724-4047

8-5 M-F Central time

LynTec NLPC-30-208-208

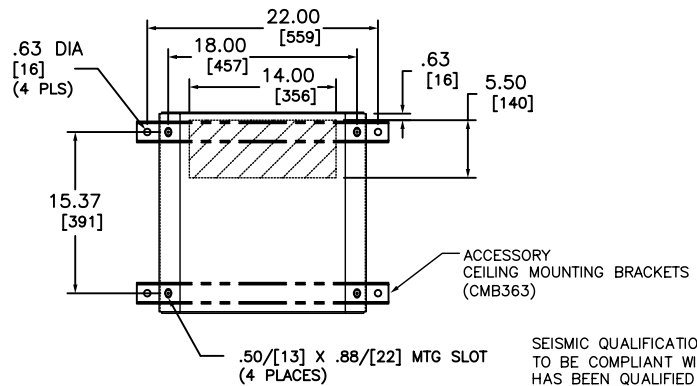


| IN EACH PHASE CONNECT TO TAPS | |
|----------------------------------|------------------------|
| PRIMARY VOLTS | 1-5 %FCAN 2-5 %FCBN |
| 218 | 1 |
| 208 | 2 |
| 198 | 3 |
| 188 | 4 |



TRANSFORMER SPECIFICATIONS:

30 KVA 3Ø 60 HZ
 PRIMARY VOLTAGE 208 DELTA
 SECONDARY VOLTAGE 208Y/120
 150°C RISE ABOVE 40°C AMBIENT
 220°C INSULATION SYSTEM
 COPPER WINDINGS
 APPROXIMATE WEIGHT: 380 LBS
 GUARANTEED SOUND LEVEL: 45 dB
 EFFICIENCY @35%: 97.5% AVG. CONFORMS
 TO NEMA TP 1 - 2002
 K-FACTOR RATING 13



SEISMIC QUALIFICATION:
 TO BE COMPLIANT WITH THE SEISMIC REQUIREMENTS OF ASCE/SEI 7, THIS UNIT HAS BEEN QUALIFIED BY SHAKE TABLE TESTING THROUGH SELF CERTIFICATION TO ICC ES AC156. CONTACT YOUR LOCAL SCHNEIDER ELECTRIC/SQUARE D REPRESENTATIVE FOR RELATED QUESTIONS.

- NOTES:**
- 1) cULus LISTED (MEETING UL 1561 AND CSA C22.2)
 - 2) NEMA 2 VENTILATED ENCLOSURE ENCLOSURE RATED FOR NEMA 3R WHEN OPTIONAL WEATHERSHIELD ACCESSORY IS INSTALLED.
 - 3) MINIMUM CLEARANCE OF 3.00[76] BETWEEN VENT OPENINGS, WALL OR OTHER OBSTRUCTION
 - 4) SHADED AREAS DENOTE CUSTOMER CONDUIT ENTRANCE LOCATIONS, AVAILABLE BOTH SIDES AND BOTTOM

DUAL DIMENSIONS: INCHES
MILLIMETERS

LOW VOLTAGE ENERGY EFFICIENT, TP1
 NON-LINEAR, K-RATED, DRY-TYPE TRANSFORMER
 CATALOG NO EE30T211HISCUNLP
 3 PHASE, 30kVA, CU
 PRIMARY 208 DELTA ,SECONDARY 208Y/120

SQUARE D
 Schneider Electric

DWG# 6312-1150
 No. SHEET 1 OF 1