



Styles D and H—NEMA 2 Rated  
verts to NEMA 3R with Weathershield

**EE NLP Series Transformers**

- Three-phase dry type transformers, 480 Delta—208Y/120 or **208 Delta — 208Y/120**
- Aluminum or copper windings
- Electrostatic shield
- Class 220 insulation
- Double size neutral terminal for additional customer neutral cables
- Additional coil capacity to compensate for higher non-linear load loss
- cULus Listed

**Call LynTec — 800-724-4047  
for contractor pricing.**

kVA	Catalog No.	\$ Price	Taps	Weight (lbs)	Enclosure
-----	-------------	----------	------	--------------	-----------

**NLP Series for More Severe Non-Linear Load Service—K-13 Rated—Aluminum Windings; 150° C Rise**

kVA	LynTec Part Number 208 Delta - 208Y/120	Square D Part Number 208 Delta - 208Y/120
15	NLPA-15-208-208	EE15T211HISNLP
30	NLPA-30-208-208	EE30T211HISNLP
45	NLPA-45-208-208	EE45T211HISNLP
75	NLPA-75-208-208	EE75T211HISNLP
112.5	NLPA-112-208-208	EE112T211HISNLP
150	NLPA-150-208-208	EE150T211HISNLP

kVA	LynTec Part Number 480 Delta - 208Y/120	EE Part Number	Taps	Weight (lbs)	Enclosure
15	NLPA-15-480-208	EE15T3HISNLP	6-2.5% 2+4-	261	17D
30	NLPA-30-480-208	EE30T3HISNLP	6-2.5% 2+4-	365	18D
45	NLPA-45-480-208	EE45T3HISNLP	6-2.5% 2+4-	415	20D
75	NLPA-75-480-208	EE75T3HISNLP	6-2.5% 2+4-	535	21D
112.5	NLPA-112-480-208	EE112T3HISNLP	6-2.5% 2+4-	750	22D
150	NLPA-150-480-208	EE150T3HISNLP	6-2.5% 2+4-	755	24D
225	EE225T3HISNLP		6-2.5% 2+4-	775	25D
300	EE300T68HISNLP		4-2.5% 2+2-	2350	30D
500	EE500T68HISNLP		4-2.5% 2+2-	3150	31D

**NLP Series for More Severe Non-Linear Load Service—K-13 Rated—Copper Windings; 150° C Rise**

kVA	LynTec Part Number 208 Delta - 208Y/120	Square D Part Number 208 Delta - 208Y/120
15	NLPC-15-208-208	EE15T211HISCUNLP
30	NLPC-30-208-208	EE30T211HISCUNLP
45	NLPC-45-208-208	EE45T211HISCUNLP
75	NLPC-75-208-208	EE75T211HISCUNLP
112.5	NLPC-112-208-208	EE112T211HISCUNLP
150	NLPC-150-208-208	EE150T211HISCUNLP

kVA	LynTec Part Number 480 Delta - 208Y/120	EE Part Number	Taps	Weight (lbs)	Enclosure
15	NLPC-15-480-208	EE15T3HISCUNLP	6-2.5% 2+4-	260	17D
30	NLPC-30-480-208	EE30T3HISCUNLP	6-2.5% 2+4-	430	18D
45	NLPC-45-480-208	EE45T3HISCUNLP	6-2.5% 2+4-	730	20D
75	NLPC-75-480-208	EE75T3HISCUNLP	6-2.5% 2+4-	640	20D
112.5	NLPC-112-480-208	EE112T3HISCUNLP	6-2.5% 2+4-	985	22D
150	NLPC-150-480-208	EE150T3HISCUNLP	6-2.5% 2+4-	1135	24D
225	EE225T3HISCUNLP		6-2.5% 2+4-	1477	24D
300	EE300T68HISCUNLP		4-2.5% 2+2-	2650	30D



[Return to Submittal Selector  
for other models](#)

Enclosure styles, from Dimensions Table, page 14-8.

**Enclosures and Accessories**

Note: Lugs: Furnished by customer — see next page for lug kits

[www.LynTec.com](http://www.LynTec.com)

800-724-4047

8-5 M-F Central time

**Enclosure Dimensions and Accessories**

Enclosure Number/Style	Height	Width		Depth		Mounting	Weathershield	Wall Mounting Bracket	Ceiling Mounting Bracket	Insulation Class °C		
		in	mm	in	mm							
17	D	27.00	686	20.00	508	16.00	406	Floor	WS363	WMB361362	CMB363	220
18	D	30.00	762	20.00	508	20.00	508	Floor	WS363	WMB363364	CMB363	220
19												
20	D	37.00	940	30.00	762	20.00	508	Floor	WS364	WMB363364	CMB364	220
21	D	37.00	940	30.00	762	24.00	610	Floor	WS364	—	CMB364	220
22	D	43.75	1111	32.00	813	27.00	686	Floor	WS380	—	CMB380	220
24	D	49.5	1257	35	889	28.5	724	Floor	WS381	—	CMB381	220



**Lug Kits; Wall and Ceiling Mounting Brackets; Sound Levels**

*New!* Primary Mechanical Lug Kits

**Call LynTec — 800-724-4047  
for contractor pricing.**

LynTec Part Number  
Ships with Transformer

Catalog No.	\$ Price Per Kit	Lugs Per Kit	Wire Range	Cap Screws	Current Range
<b>LKP-100</b> 7400DASKP100		3	1/0–14 STR.	1/4 x 1 in	Up to 100 A
<b>LKP-250</b> 7400DASKP250		3	350 kcmil–6 STR.	1/4 x 1 in	101 to 250 A
7400DASKP400		3	600 kcmil–4 STR. (2) 250 kcmil–1/0 STR.	1/4 x 1 3/4 in	201 to 400 A
7400DASKP600		6	600 kcmil–4 STR. (2) 250 kcmil–1/0 STR.	1/4 x 1 3/4 in	601 to 800 A
7400DASKP1000		9	600 kcmil–2 STR.	3/8 x 2 in	601 to 800 A
7400DASKP1200		12	600 kcmil–2 STR.	3/8 x 2 in	801 to 1200 A

*New!* Secondary Mechanical Lug Kits

LynTec Part Number  
Ships with Transformer

Catalog No.	\$ Price Per Kit	Lugs Per Kit	Wire Range	Cap Screws	Current Range	Bonding Lugs per Kit	Wire Range
<b>LKS-100</b> 7400DASKS100		5	1/0–14 STR.	1/4 x 1 in	Up to 100 A	1	2–14 STR.
<b>LKS-250</b> 7400DASKS250		5	350 kcmil–6 STR.	1/4 x 1 in	101 to 250 A	1	2–14 STR.
7400DASKS400		5	600 kcmil–4 STR. (2) 250 kcmil–1/0 STR.	1/4 x 1 3/4 in	201 to 400 A	1	1/0–14 STR.
7400DASKS600		10	600 kcmil–2 STR.	1/4 x 1 3/4 in	601 to 800 A	1	250 kcmil–6 STR.
7400DASKS1000		15	600 kcmil–2 STR.	3/8 x 2 in	601 to 800 A	1	250 kcmil–6 STR.
7400DASKS1200		20	600 kcmil–2 STR.	3/8 x 2 in	801 to 1200 A	1	250 kcmil–6 STR.
7400DASKS2000		25	600 kcmil–2 STR.	3/8 x 2 in	1201 to 2000 A	1	350 kcmil–6 STR.

**Weathershields, Wall and Ceiling Mounting Brackets**

Weathershields		Wall Mounting Brackets ♦	
Catalog No.	\$ Price	Catalog No.	\$ Price
WS363		WMB361362	
WS364		WMB363364	
WS370A			★
WS380			
WS381		CMB363	
		CMB364	
		CMB380	
		CMB381	

♦ Wall mounting brackets may be prohibited in some California areas requiring 12-inch spacing from wall.  
★ Base Channels are supplied for ceiling mounting—trapeze hangers must be furnished by user.  
Note: Lugs are not supplied with transformer units. They must be purchased separately.

**Sound Levels**

kVA	NEMA Standard Sound Level
0–9	40 dB
10–50	45 dB
51–150	50 dB
151–300	55 dB
301–500	60 dB
501–700	62 dB
701–1000	64 dB

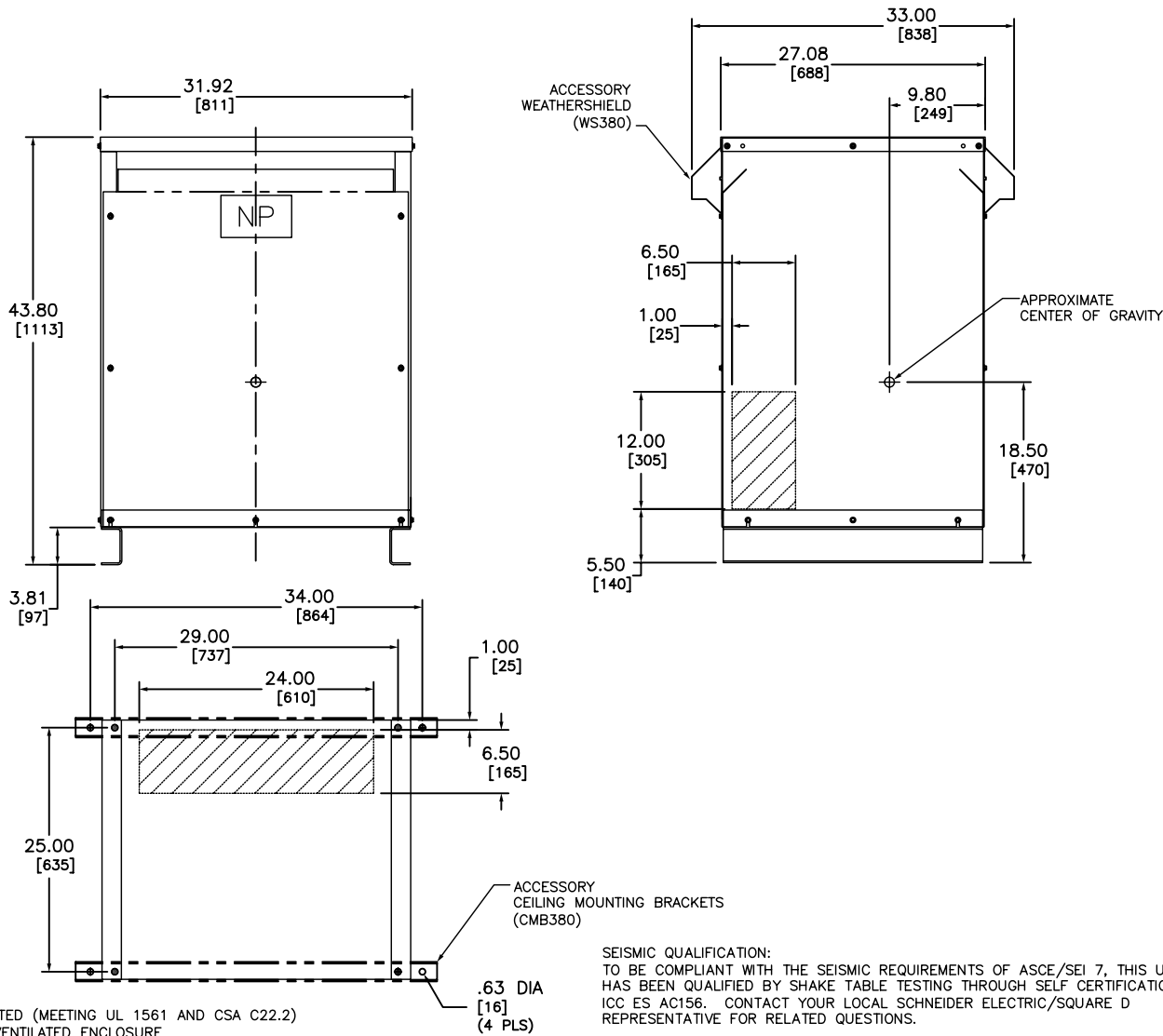
Note: Square D transformers meet NEMA standards for sound level.  
Lower sound levels are available at an additional charge.

[www.LynTec.com](http://www.LynTec.com)

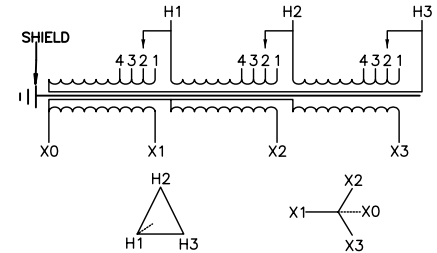
800-724-4047

8-5 M-F Central time

# LynTec NLPA-112-208-208



IN EACH PHASE CONNECT TO TAPS	
PRIMARY VOLTS	1-5 %FCAN 2-5 %FCBN
218	1
208	2
198	3
187	4



## TRANSFORMER SPECIFICATIONS:

112.5kVA 3Ø 60 HZ  
 PRIMARY VOLTAGE 208 DELTA  
 SECONDARY VOLTAGE 208Y/120  
 150 °C RISE ABOVE 40°C AMBIENT  
 220 °C INSULATION SYSTEM  
 ALUMINUM WINDINGS  
 APPROXIMATE WEIGHT: 835 LBS  
 GUARANTEED SOUND LEVEL: 50 dB

EFFICIENCY @35%: 98.2% AVG. CONFORMS  
 TO NEMA TP 1 - 2002  
 K-RATING FACTOR 13

### NOTES:

- 1) cULus LISTED (MEETING UL 1561 AND CSA C22.2)
- 2) NEMA 2 VENTILATED ENCLOSURE ENCLOSURE RATED FOR NEMA 3R WHEN OPTIONAL WEATHERSHIELD ACCESSORY IS INSTALLED.
- 3) MINIMUM CLEARANCE OF 3.00 [76] BETWEEN VENT OPENINGS, WALL OR OTHER OBSTRUCTION
- 4) SHADED AREAS DENOTE CUSTOMER CONDUIT ENTRANCE LOCATIONS, AVAILABLE BOTH SIDES AND BOTTOM

### SEISMIC QUALIFICATION:

TO BE COMPLIANT WITH THE SEISMIC REQUIREMENTS OF ASCE/SEI 7, THIS UNIT HAS BEEN QUALIFIED BY SHAKE TABLE TESTING THROUGH SELF CERTIFICATION TO ICC ES AC156. CONTACT YOUR LOCAL SCHNEIDER ELECTRIC/SQUARE D REPRESENTATIVE FOR RELATED QUESTIONS.

DUAL DIMENSIONS: INCHES  
MILLIMETERS

LOW VOLTAGE ENERGY EFFICIENT, TP1  
 NON-LINEAR, K-RATED, DRY-TYPE TRANSFORMER  
 CATALOG NO EE112T211HISNLP  
 3 PHASE, 112.5kVA, AL  
 PRIMARY 208 DELTA ,SECONDARY 208Y/120



DWG# 6312-1167  
 No.