



Styles D and H—NEMA 2 Rated
verts to NEMA 3R with Weathershield

EE NLP Series Transformers

- Three-phase dry type transformers, 480 Delta—208Y/120 or **208 Delta — 208Y/120**
- Aluminum or copper windings
- Electrostatic shield
- Class 220 insulation
- Double size neutral terminal for additional customer neutral cables
- Additional coil capacity to compensate for higher non-linear load loss
- cULus Listed

List prices shown — call LynTec for contractor pricing.

kVA	Catalog No.	\$ Price	Taps	Weight (lbs)	Enclosure
-----	-------------	----------	------	--------------	-----------

NLP Series for More Severe Non-Linear Load Service—K-13 Rated—Aluminum Windings; 150° C Rise

kVA	LynTec Part Number 208 Delta - 208Y/120	Square D Part Number 208 Delta - 208Y/120
15	NLPA-15-208-208	EE15T211HISNLP
30	NLPA-30-208-208	EE30T211HISNLP
45	NLPA-45-208-208	EE45T211HISNLP
75	NLPA-75-208-208	EE75T211HISNLP
112.5	NLPA-112-208-208	EE112T211HISNLP
150	NLPA-150-208-208	EE150T211HISNLP

kVA	LynTec Part Number 480 Delta - 208Y/120	EE Part Number	\$ Price	Taps	Weight (lbs)	Enclosure
15	NLPA-15-480-208	EE15T3HISNLP	5976.00	6-2.5% 2+4-	261	17D
30	NLPA-30-480-208	EE30T3HISNLP	8963.00	6-2.5% 2+4-	365	18D
45	NLPA-45-480-208	EE45T3HISNLP	10789.00	6-2.5% 2+4-	415	20D
75	NLPA-75-480-208	EE75T3HISNLP	16251.00	6-2.5% 2+4-	535	21D
112.5	NLPA-112-480-208	EE112T3HISNLP	21650.00	6-2.5% 2+4-	750	22D
150	NLPA-150-480-208	EE150T3HISNLP	28261.00	6-2.5% 2+4-	755	24D
225	EE225T3HISNLP		38507.00	6-2.5% 2+4-	775	25D
300	EE300T68HISNLP		51295.00	4-2.5% 2+2-	2350	30D
500	EE500T68HISNLP		71277.00	4-2.5% 2+2-	3150	31D

NLP Series for More Severe Non-Linear Load Service—K-13 Rated—Copper Windings; 150° C Rise

kVA	LynTec Part Number 208 Delta - 208Y/120	Square D Part Number 208 Delta - 208Y/120
15	NLPC-15-208-208	EE15T211HISCUNLP
30	NLPC-30-208-208	EE30T211HISCUNLP
45	NLPC-45-208-208	EE45T211HISCUNLP
75	NLPC-75-208-208	EE75T211HISCUNLP
112.5	NLPC-112-208-208	EE112T211HISCUNLP
150	NLPC-150-208-208	EE150T211HISCUNLP

kVA	LynTec Part Number 480 Delta - 208Y/120	EE Part Number	\$ Price	Taps	Weight (lbs)	Enclosure
15	NLPC-15-480-208	EE15T3HISCUNLP	9744.00	6-2.5% 2+4-	260	17D
30	NLPC-30-480-208	EE30T3HISCUNLP	14618.00	6-2.5% 2+4-	430	18D
45	NLPC-45-480-208	EE45T3HISCUNLP	17594.00	6-2.5% 2+4-	730	20D
75	NLPC-75-480-208	EE75T3HISCUNLP	26506.00	6-2.5% 2+4-	640	20D
112.5	NLPC-112-480-208	EE112T3HISCUNLP	35310.00	6-2.5% 2+4-	985	22D
150	NLPC-150-480-208	EE150T3HISCUNLP	46094.00	6-2.5% 2+4-	1135	24D
225	EE225T3HISCUNLP		61448.00	6-2.5% 2+4-	1477	24D
300	EE300T68HISCUNLP		78800.00	4-2.5% 2+2-	2650	30D



[Return to Submittal Selector](#)
for other models

Enclosure styles, from Dimensions Table, page 14-8.

Enclosures and Accessories

Note: Lugs: Furnished by customer — see next page for lug kits

www.LynTec.com

800-724-4047

8-5 M-F Central time

Enclosure Dimensions and Accessories

Enclosure Number/Style	Height	Width		Depth		Mounting	Weathershield	Wall Mounting Bracket	Ceiling Mounting Bracket	Insulation Class °C		
		in	mm	in	mm							
17	D	27.00	686	20.00	508	16.00	406	Floor	WS363	WMB361362	CMB363	220
18	D	30.00	762	20.00	508	20.00	508	Floor	WS363	WMB363364	CMB363	220
19												
20	D	37.00	940	30.00	762	20.00	508	Floor	WS364	WMB363364	CMB364	220
21	D	37.00	940	30.00	762	24.00	610	Floor	WS364	—	CMB364	220
22	D	43.75	1111	32.00	813	27.00	686	Floor	WS380	—	CMB380	220
24	D	49.5	1257	35	889	28.5	724	Floor	WS381	—	CMB381	220



Lug Kits; Wall and Ceiling Mounting Brackets; Sound Levels

New! **Primary Mechanical Lug Kits**

List prices shown — call LynTec for contractor pricing.

LynTec Part Number Ships with Transformer	Catalog No.	\$ Price Per Kit	Lugs Per Kit	Wire Range	Cap Screws	Current Range
LKP-100	7400DASKP100	42.00	3	1/0–14 STR.	1/4 x 1 in	Up to 100 A
LKP-250	7400DASKP250	108.00	3	350 kcmil–6 STR.	1/4 x 1 in	101 to 250 A
	7400DASKP400	208.00	3	600 kcmil–4 STR. (2) 250 kcmil–1/0 STR.	1/4 x 1 3/4 in	201 to 400 A
	7400DASKP600	382.00	6	600 kcmil–4 STR. (2) 250 kcmil–1/0 STR.	1/4 x 1 3/4 in	601 to 800 A
	7400DASKP1000	578.00	9	600 kcmil–2 STR.	3/8 x 2 in	601 to 800 A
	7400DASKP1200	758.00	12	600 kcmil–2 STR.	3/8 x 2 in	801 to 1200 A

New! **Secondary Mechanical Lug Kits**

List prices shown — call LynTec for contractor pricing.

LynTec Part Number Ships with Transformer	Catalog No.	\$ Price Per Kit	Lugs Per Kit	Wire Range	Cap Screws	Current Range	Bonding Lugs per Kit	Wire Range
LKS-100	7400DASKS100	72.00	5	1/0–14 STR.	1/4 x 1 in	Up to 100 A	1	2–14 STR.
LKS-250	7400DASKS250	102.00	5	350 kcmil–6 STR.	1/4 x 1 in	101 to 250 A	1	2–14 STR.
	7400DASKS400	174.00	5	600 kcmil–4 STR. (2) 250 kcmil–1/0 STR.	1/4 x 1 3/4 in	201 to 400 A	1	1/0–14 STR.
	7400DASKS600	328.00	10	600 kcmil–2 STR.	1/4 x 1 3/4 in	601 to 800 A	1	250 kcmil–6 STR.
	7400DASKS1000	474.00	15	600 kcmil–2 STR.	3/8 x 2 in	601 to 800 A	1	250 kcmil–6 STR.
	7400DASKS1200	622.00	20	600 kcmil–2 STR.	3/8 x 2 in	801 to 1200 A	1	250 kcmil–6 STR.
	7400DASKS2000	772.00	25	600 kcmil–2 STR.	3/8 x 2 in	1201 to 2000 A	1	350 kcmil–6 STR.

Weathershields, Wall and Ceiling Mounting Brackets

Weathershields		Wall Mounting Brackets ♦	
Catalog No.	\$ Price	Catalog No.	\$ Price
WS363	460.00	WMB361362	1020.00
WS364	460.00	WMB363364	1020.00
WS370A	3582.00	Ceiling Mounting Brackets ★	
WS380	1050.00	Catalog No.	\$ Price
WS381	1050.00	CMB363	462.00
		CMB364	462.00
		CMB380	1152.00
		CMB381	1152.00

♦ Wall mounting brackets may be prohibited in some California areas requiring 12-inch spacing from wall.
★ Base Channels are supplied for ceiling mounting—trapeze hangers must be furnished by user.
Note: Lugs are not supplied with transformer units. They must be purchased separately.

Sound Levels

kVA	NEMA Standard Sound Level
0–9	40 dB
10–50	45 dB
51–150	50 dB
151–300	55 dB
301–500	60 dB
501–700	62 dB
701–1000	64 dB

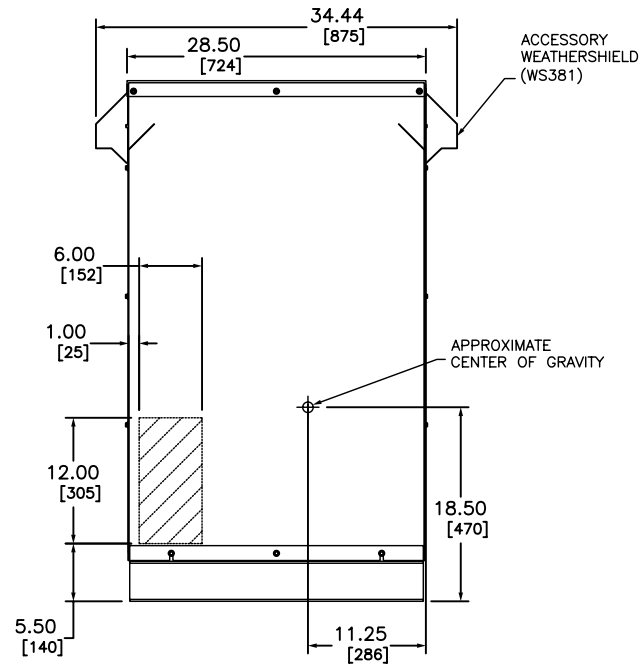
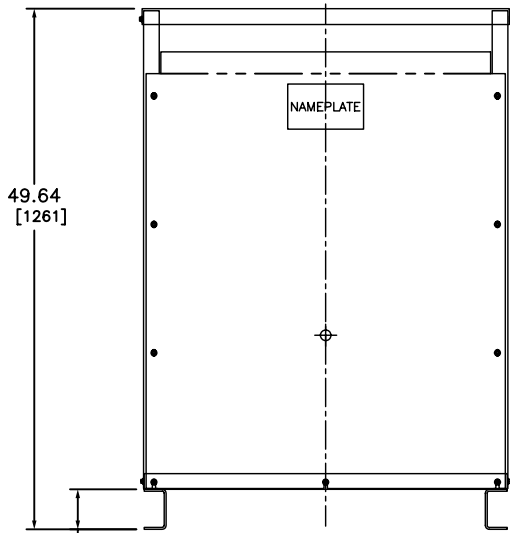
Note: Square D transformers meet NEMA standards for sound level.
Lower sound levels are available at an additional charge.

www.LynTec.com

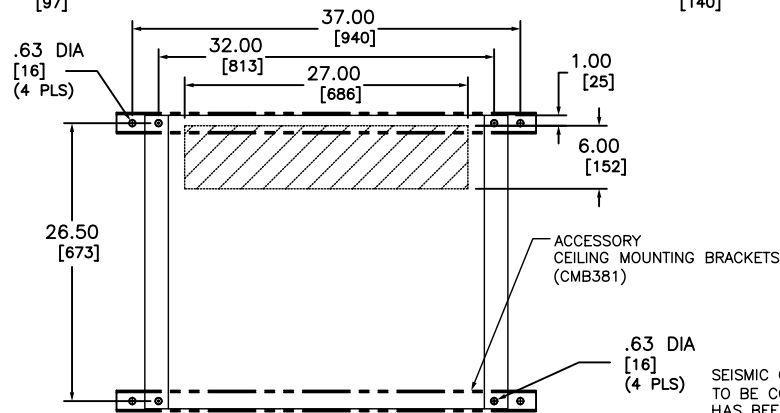
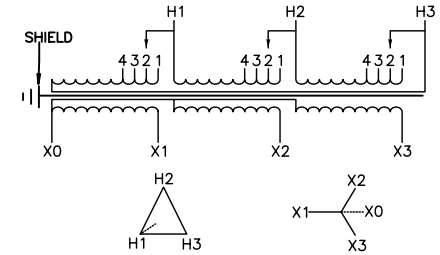
800-724-4047

8-5 M-F Central time

LynTec NLPA-150-208-208



IN EACH PHASE CONNECT TO TAPS	
PRIMARY VOLTS	1-5 %FCAN 2-5 %FCBN
218	1
208	2
198	3
187	4



TRANSFORMER SPECIFICATIONS:

150 kVA 3Ø 60 HZ
 PRIMARY VOLTAGE 208 DELTA
 SECONDARY VOLTAGE 208Y/120
 150 °C RISE ABOVE 40°C AMBIENT
 220°C INSULATION SYSTEM
 ALUMINUM WINDINGS
 APPROXIMATE WEIGHT: 1135 LBS
 GUARANTEED SOUND LEVEL: 50 dB
 EFFICIENCY @35%: 98.3% AVG. CONFORMS
 TO NEMA TP 1 - 2002
 K FACTOR RATING 13

NOTES:

- 1) cULus LISTED (MEETING UL 1561 AND CSA C22.2)
- 2) NEMA 2 VENTILATED ENCLOSURE ENCLOSURE RATED FOR NEMA 3R WHEN OPTIONAL WEATHERSHIELD ACCESSORY IS INSTALLED.
- 3) MINIMUM CLEARANCE OF 3.00[76] BETWEEN VENT OPENINGS, WALL OR OTHER OBSTRUCTION
- 4) SHADED AREAS DENOTE CUSTOMER CONDUIT ENTRANCE LOCATIONS, AVAILABLE BOTH SIDES AND BOTTOM

SEISMIC QUALIFICATION:

TO BE COMPLIANT WITH THE SEISMIC REQUIREMENTS OF ASCE/SEI 7, THIS UNIT HAS BEEN QUALIFIED BY SHAKE TABLE TESTING THROUGH SELF CERTIFICATION TO ICC ES AC156. CONTACT YOUR LOCAL SCHNEIDER ELECTRIC/SQUARE D REPRESENTATIVE FOR RELATED QUESTIONS.

DUAL DIMENSIONS: INCHES
MILLIMETERS

LOW VOLTAGE ENERGY EFFICIENT, TP1
 NON-LINEAR, K RATED, DRY-TYPE TRANSFORMER
 CATALOG NO EE150T211HISNLP
 3 PHASE, 150kVA, AL
 PRIMARY 208 DELTA ,SECONDARY 208Y/120



DWG# 6312-1168
 No.