

RPC THE INDUSTRY'S MOST COMPLETE SELF-CONTAINED ELECTRICAL CONTROL PANEL

SERIES PANELS

QUICK START GUIDE

This guide is a quick reference listing the steps necessary to install the RPC system. The steps in this guide are provided as an installation checklist. For complete installation instructions, refer to the instruction manual.

- 1) Make sure that the panel(s) have been wired by a certified electrician and that there is power to the panel(s).
- 2) Confirm that RPC panel and any secondary panels are connected to the controller as indicated in the "RPC Master/Secondary Quick Start Guide" bulletin.
- 3) Confirm that the electrician has connected the 15A breaker in the master panel to the power supply in the lower sidecar (Figure 1). When the 15A breaker is connected and switched on, orange power LEDs will be lit (Figure2).
- 4) Connect a computer to the control board using a CAT5 crossover cable OR connect the RPC to your network.

If connecting via a crossover cable:

If directly connected to the RPC with a computer configured for DHCP, APIPA protocol automatically assigns an address in the 169.254.x.x range. Check the LCD or push the top yellow button twice to see the assigned IP address to use in a web browser.

If connecting via a network:

Connect the RPC to the network via the Ethernet port. Push the upper yellow button twice or until the IP address appears on the LCD screen.

Figure 1

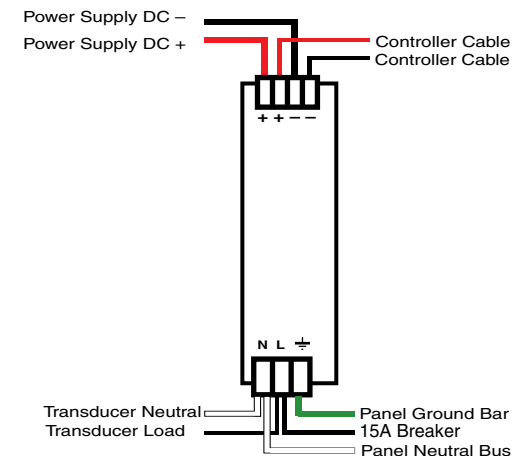
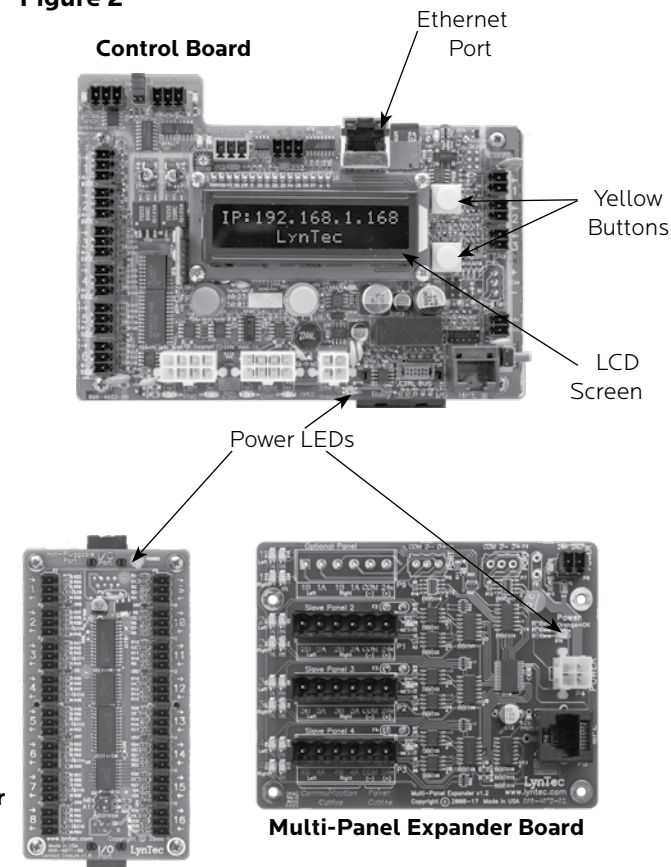


Figure 2



5) Open a web browser and access the status page via the IP address of the RPC. (ex. http://192.168.1.250)

The default username is “admin” and the initial password is “pw”.

If desired, set your username and password on the “Setup Home” page under the “Setup” tab.

The screenshot shows the 'Setup Home' page of the RPC web interface. The top navigation bar includes 'Status', 'Control', 'Setup', 'Support', and 'Event Log'. Below this, a secondary navigation bar shows 'Setup Home', 'Network', 'Protocols', 'Panels', 'Schedules', and 'Contact Closures'. The main content area is divided into several sections:

- Customer Information:** Fields for Serial Number, Job Name (RPC Server), Contractor Name (Contractor), Phone # (Phone #1), System Integrator (Sys Integrator), and Phone # (Phone #2).
- Clock Set:** Includes a note about NTP, fields for Year (21), Month (01), Day (13), Hour (15), Min (52), Sec (49), and Day of the Week (Friday).
- Astronomical Clock:** Includes a checkbox for 'Enable Schedules', dropdowns for Country and City, and fields for City Name (KS, Lenexa), Latitude (33.8), Longitude (-118.3), Timezone (America/Los_Angeles), UTC Offset (-6), and DST Observed (checked).
- Printable Pages:** Radio buttons for Network Setup, Panel Setup, and Panel Schedules (selected), with a 'Print Pages' button.
- Password Reset:** Includes a note about root username/password updates, a dropdown for User Level (Super), and fields for Username, Password, and Repeat Password, with an 'Update Login Info' button.
- 1. Update Firmware:** A file upload section with a 'Choose File' button and an 'Upload Firmware' button.
- 2. Update Web Page GUI:** A file upload section with a 'Choose File' button and an 'Upload Web Pages' button.
- 3. Reboot RPC:** Includes a note about GUI and firmware updates and a 'Reboot RPC' button.

Download the complete
RPC Manual



5) Complete the RPC setup by following the steps in Chapter 5.